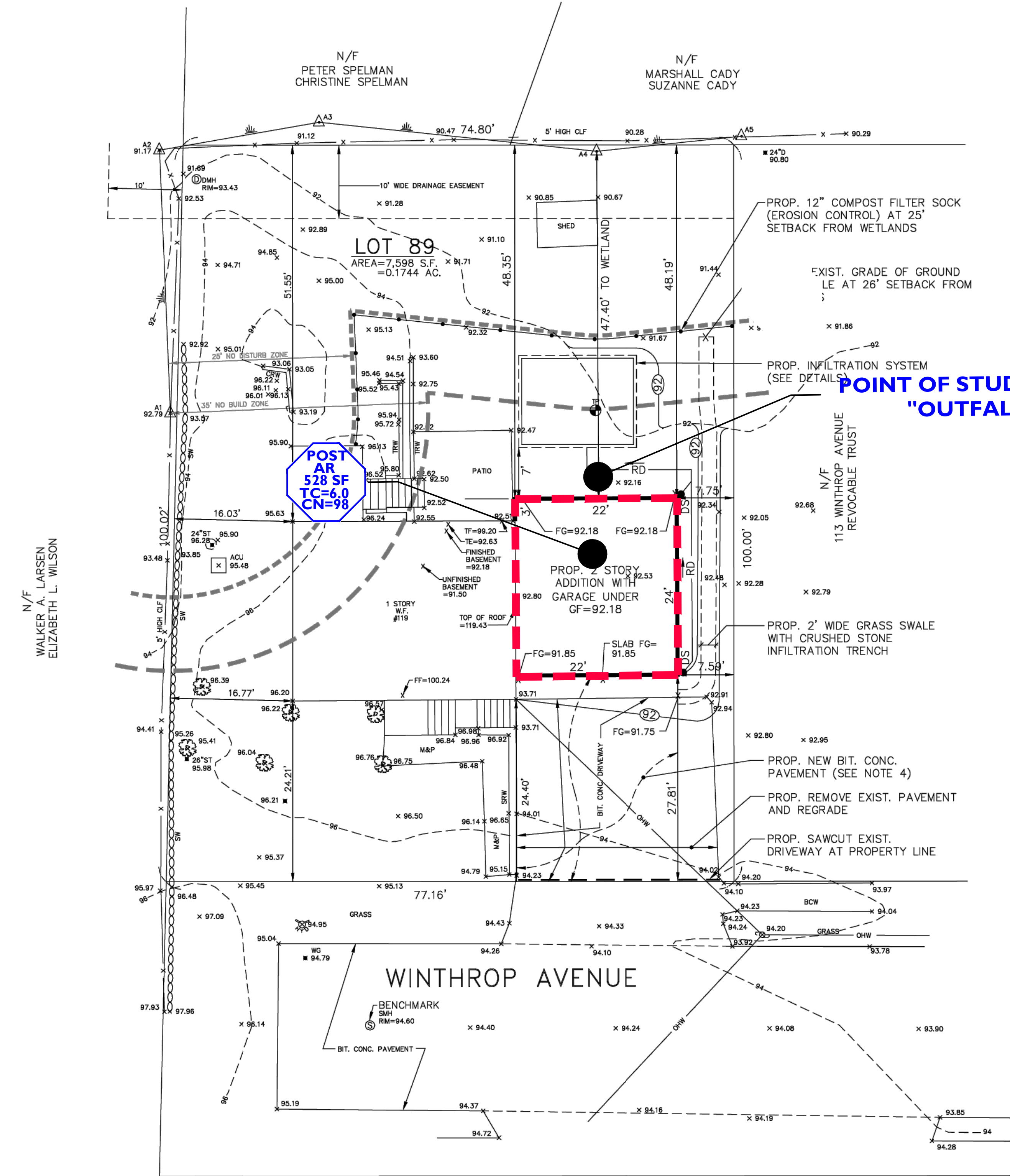
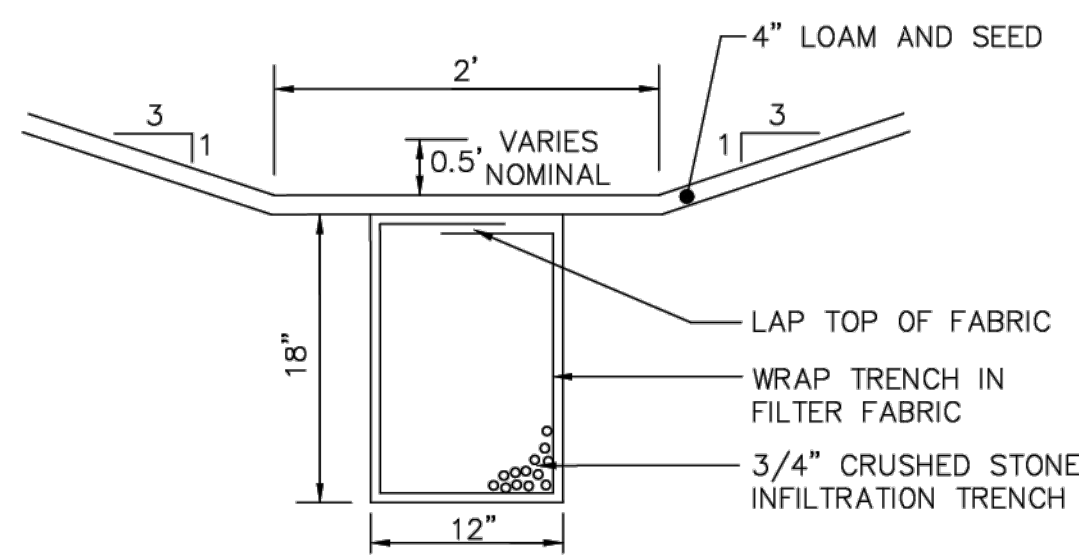


SOIL=626B
HSG GROUP TYPE "A"

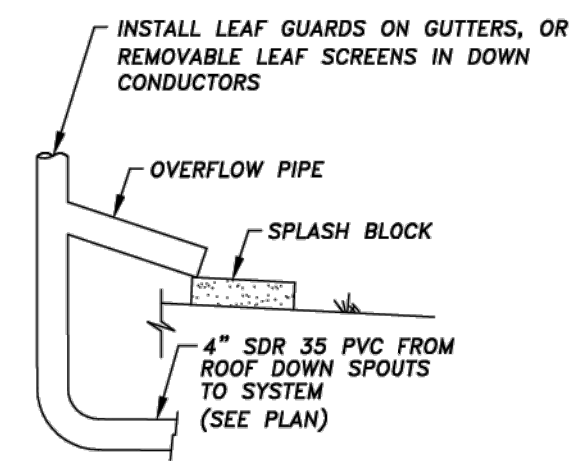


POST-DEVELOPMENT DRAINAGE PLAN
SCALE: 1"=10'

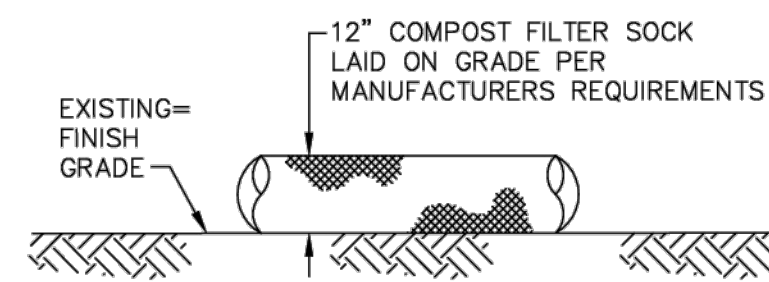
LEGEND:
SOILS
SUB-CATCHMENT



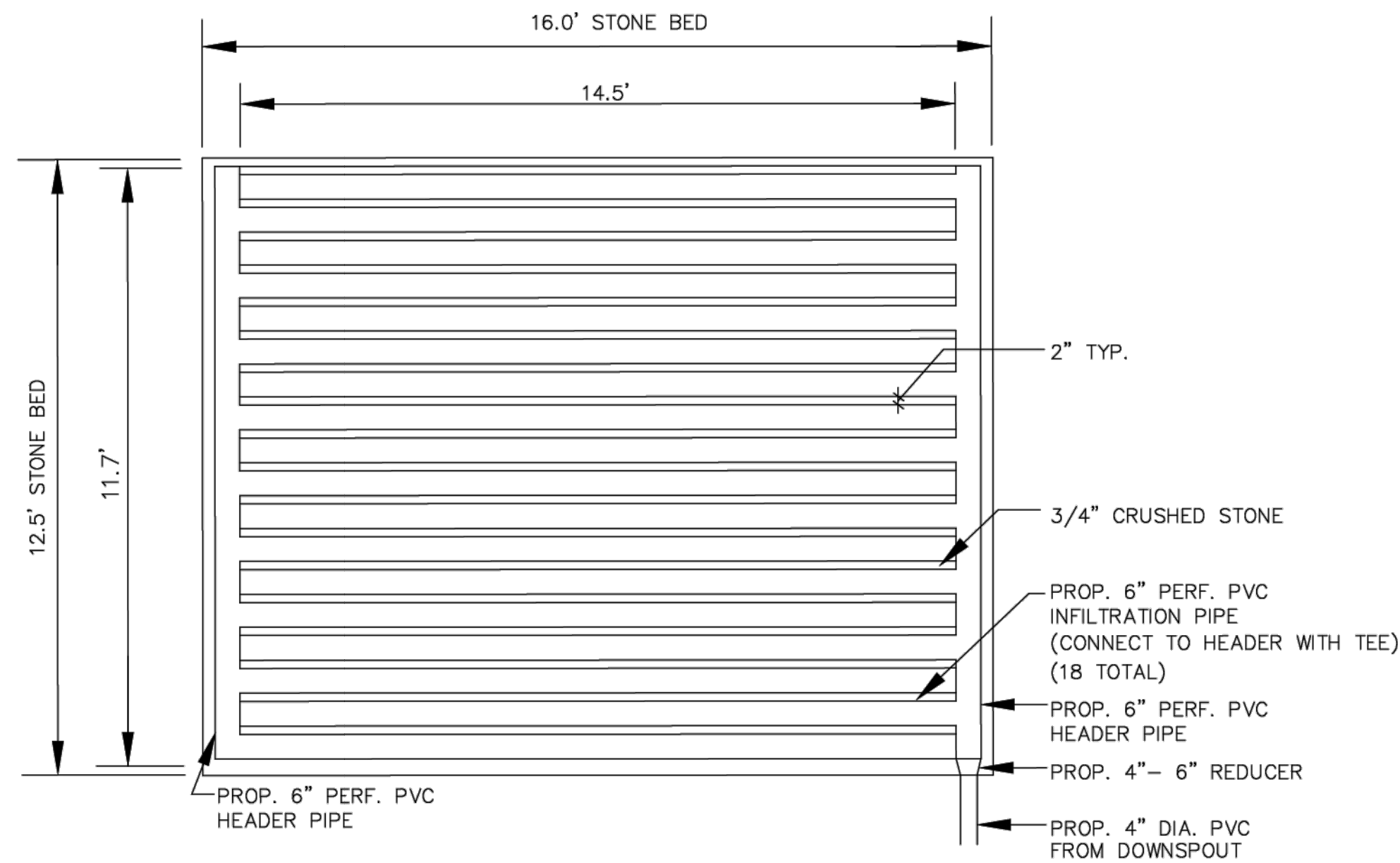
GRASS SWALE DETAIL
1"=1'-0"



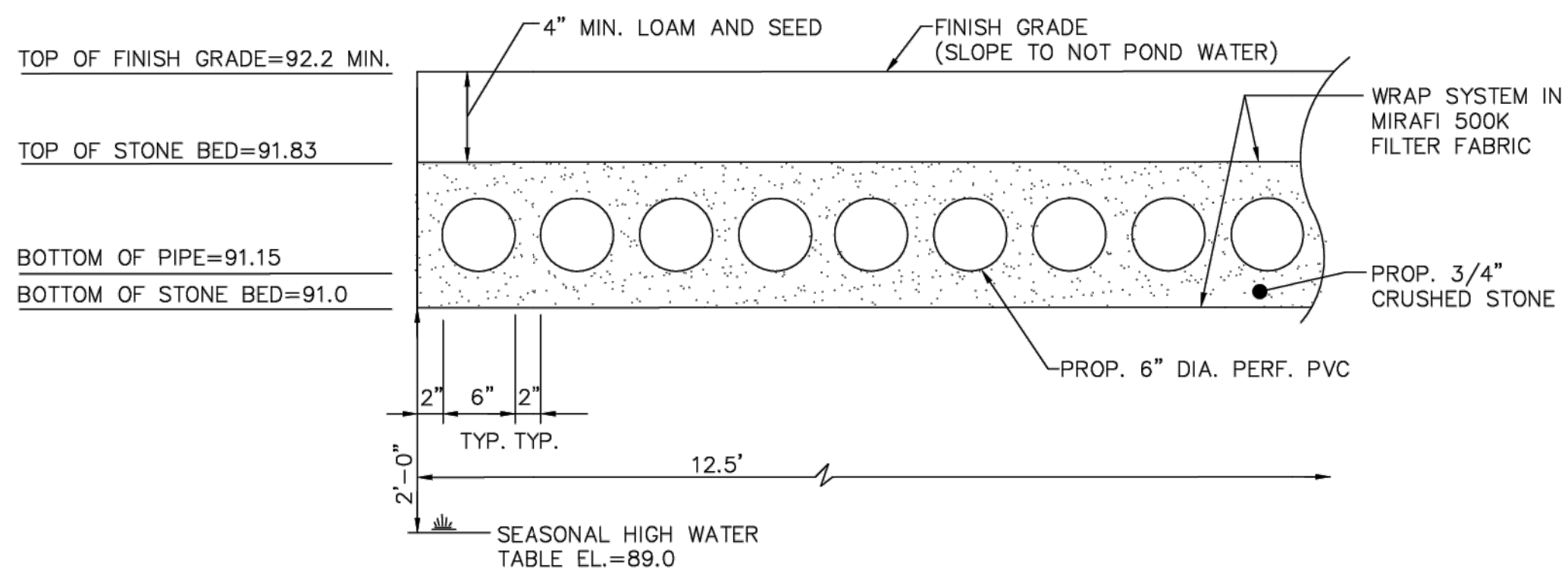
ROOF LEADER DETAIL
N.T.S.



COMPOST FILTER SOCK
N.T.S.



INFILTRATION SYSTEM
N.T.S.



INFILTRATION SYSTEM CROSS SECTION
N.T.S.

NOTES

- SEE TOWN OF READING PARCEL ID #27-247, DEED BOOK #68160 PAGE #44 AND PLAN IN PL. BK. #310 PLAN #11 MSDRD FOR SITE.
- WETLANDS FLAGGED BY BASBANES WETLAND CONSULTING, 39 HARDY STREET, DUNSTABLE, MA ON DECEMBER 30, 2024.
- TOPOGRAPHIC DATUM IS NAVD88 FROM MAGIS LIDAR, BENCHMARK IS SEWER MANHOLE LOCATED ON WINTHROP AVENUE, ELEVATION=94.60
- NEW BITUMINOUS PAVEMENT SHALL BE 1" TYPE I-1 SURFACE COURSE OVER 2" TYPE I-1 BINDER COURSE OVER 12" COMPACTED GRAVEL BASE.
- PROVIDE GUTTERS ON HOUSE ADDITION SLOPED AND LEADING TO DOWNSPOUTS (SEE DETAIL FOR OVERFLOW)

LEGEND

- ACU AIR CONDITIONING UNIT
- ⊕ DMH DRAIN MANHOLE
- ⊙ SMH SEWER MANHOLE
- WG WATER GATE
- 24"ST STUMP
- 24"D DECIDUOUS TREE
- UP UTILITY POLE
- ⊕ HYDRANT
- ⊕ SHRUB
- ⊕ TP TEST PIT
- X 94.28 SPOT ELEVATION
- △ 2A WETLAND FIELD FLAG
- 94 — ELEVATION CONTOUR
- 82 — PROPOSED FINISH GRADE COUNTER
- 92X5 FG PROPOSED FINISH GRADE
- PROPOSED EROSION CONTROL
- X—X CLF CHAIN LINK FENCE
- ○ ○ ○ ○ STONE WALL (SW)
- OHW — OVERHEAD WIRES
- TF TOP OF FOUNDATION
- FF FINISH FLOOR ELEVATION
- TE THRESHOLD ELEVATION
- N/F NOW OR FORMERLY
- W.F. WOOD FRAME
- CRW CONCRETE RETAINING WALL
- TRW TIMBER RETAINING WALL
- BIT. CONC. BITUMINOUS CONCRETE
- SRW STONE RETAINING WALL
- BCW BITUMINOUS CONCRETE WALK
- M&P MULCH AND PLANTINGS

PLAN OF LAND
IN
READING, MASSACHUSETTS
PREPARED FOR
JAMES W. GALLAGHER AND MARJORIE R. GALLAGHER

199 WINTHROP AVENUE
READING, MASSACHUSETTS 01867

DATE: MAY 12, 2025

SCALE: 1"=10'



MERRIMACK ENGINEERING SERVICES
66 PARK STREET
ANDOVER, MASSACHUSETTS 01810
PHONE: (978) 475-3555 FAX: (978) 475-1448
EMAIL: MERRENG@AOL.COM